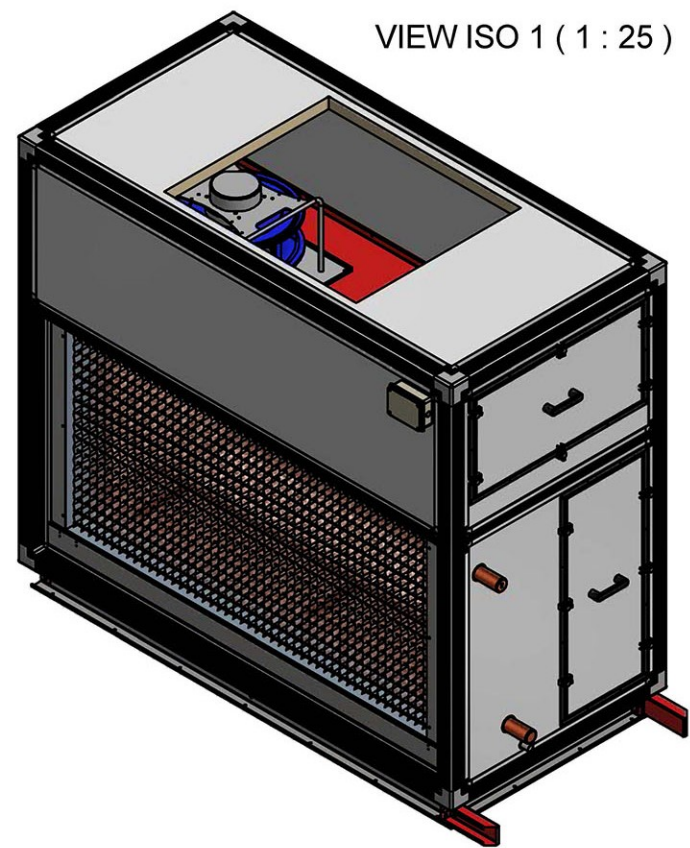
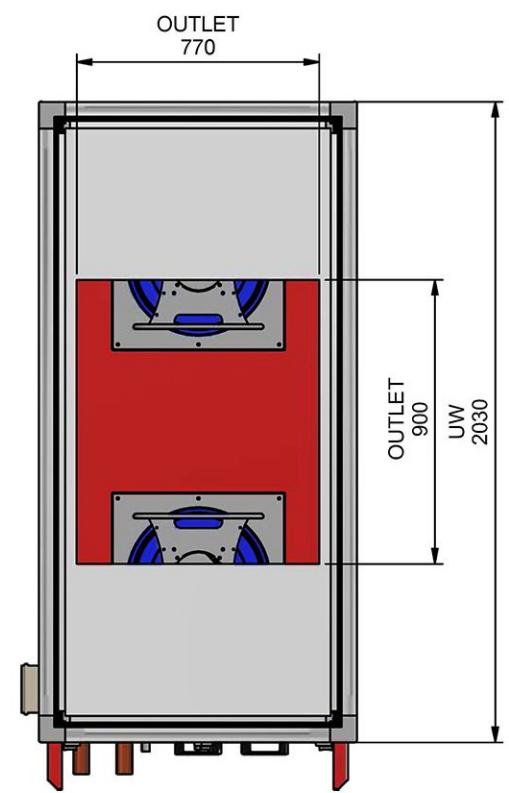


10 9 8 7 6 5 4 3 2 1



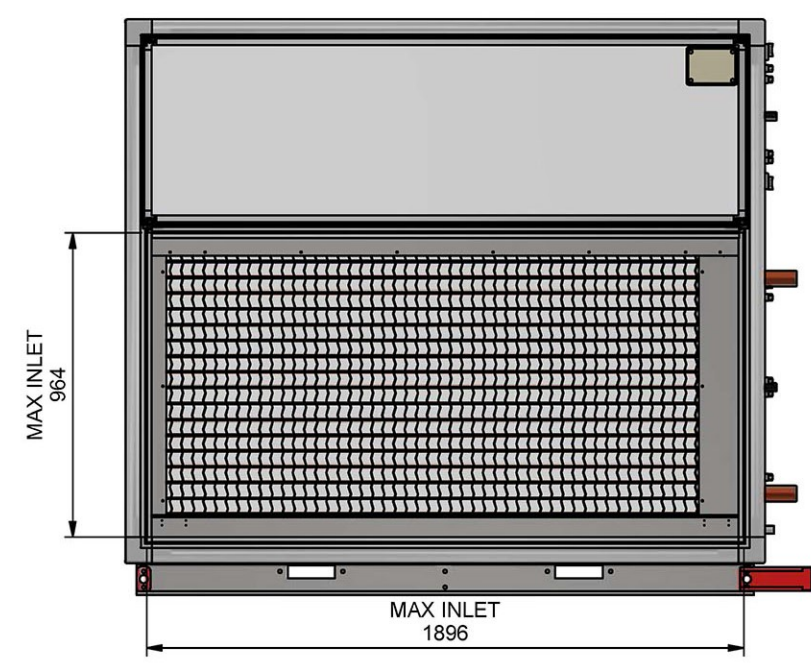
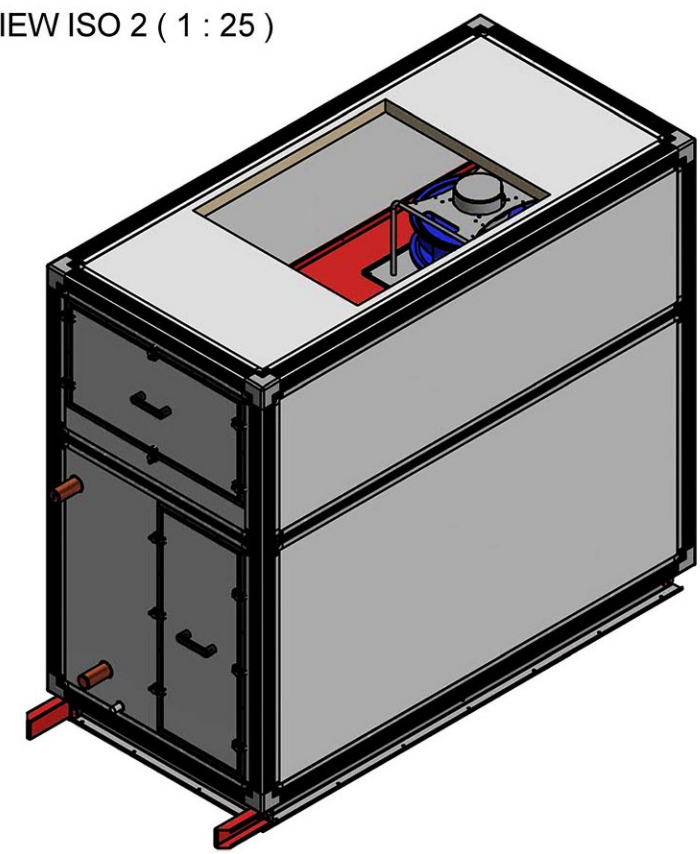
VIEW ISO 1 (1 : 25)



OUTLET
770

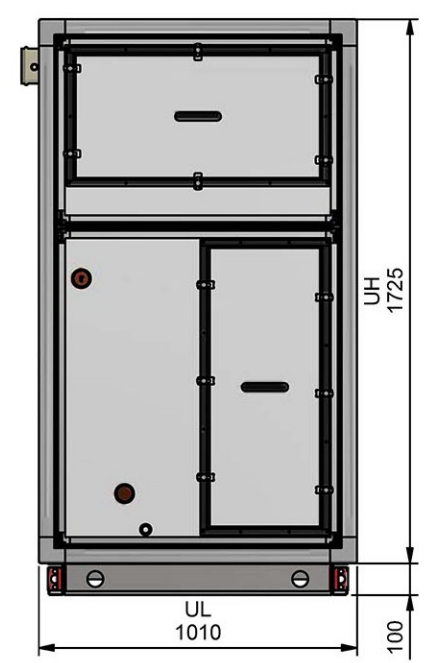
OUTLET
900
UW
2030

VIEW ISO 2 (1 : 25)



MAX INLET
964

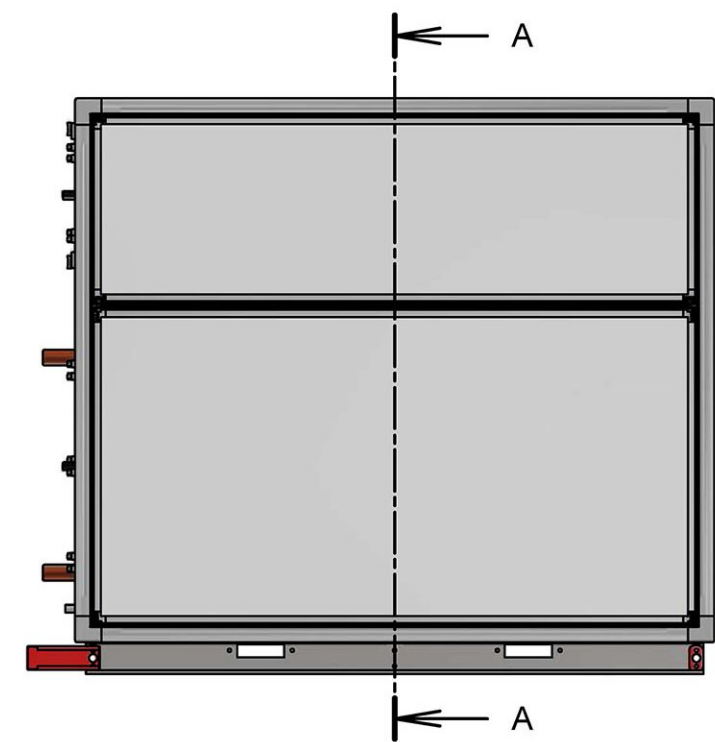
MAX INLET
1896



UH
1725

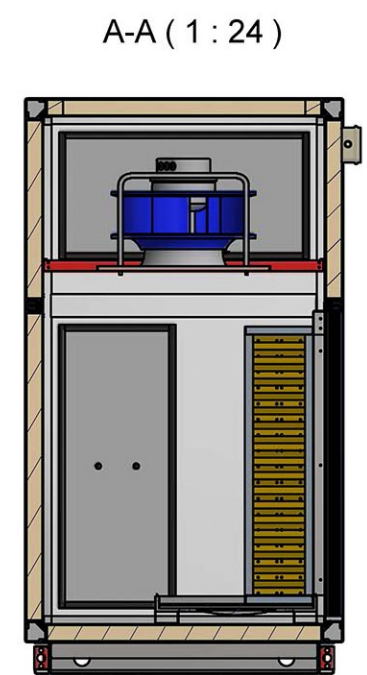
UL
1010

100



A

A



A-A (1 : 24)

MAX S/A (HORIZONTAL) : 380 X 1805MM
MAX S/A (VERTICAL) : 770 X 1805MM

UNLESS OTHERWISE SPECIFIED
DIMENSIONS ARE IN MILLIMETERS
BREAK AND DEBUR ALL SHARP EDGES

3rd ANGLE
PROJECTION

DO NOT SCALE DRAWING

Rev	By	Date	Description
/00	Toh	21/03/2017	Initial Released

Fantech Pty Ltd. © A.C.N. 005 434 024
45 NESTOR DRIVE, MEADOWBROOK, QUEENSLAND, AUSTRALIA. 4131
TELEPHONE: (07) 32 999 888 FACSIMILE: (07) 32 999 800



DRAWN: Toh DATE: 21/3/2017
CHKED: Sean DATE: --
APPRD: JT DATE: --

General Layout
ME2B-V306/G3-FCO,
GR40(115514)x2

DRAWING NO: 868-8010-2306 REV: /00 SCALE: 1 : 24 SIZE: A3